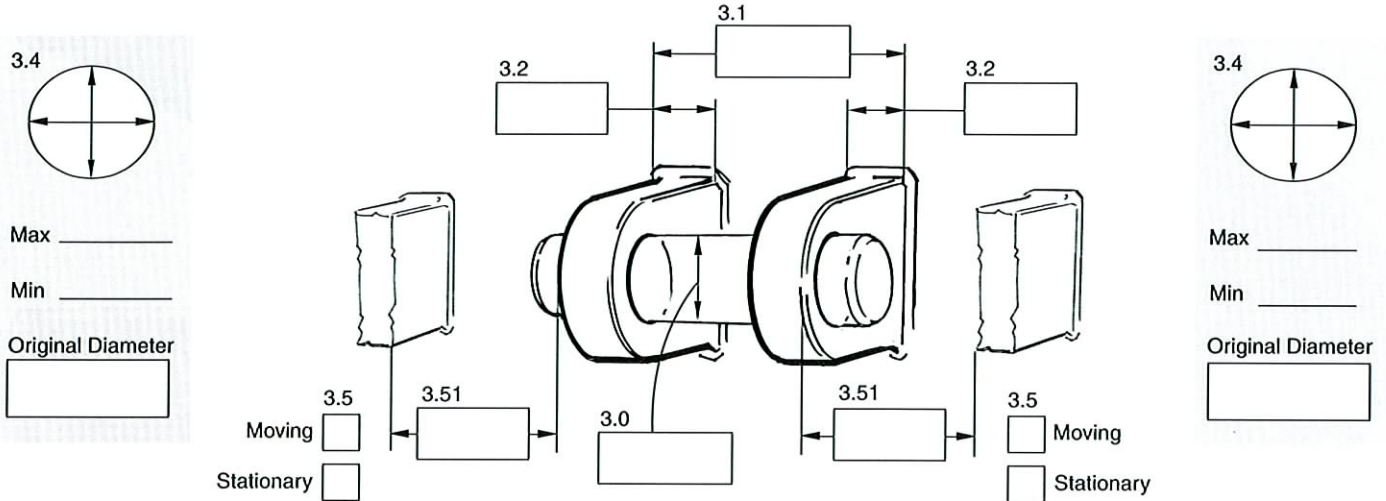


1 Order Inquiry Quantity _____ pcs

Measurements are in Inches mm

2 2.0 Machine Model: _____ 2.3 Year: _____
2.1 Position / Picture Code: _____ 2.4 Production No.: _____
2.2 Original Part Number: _____

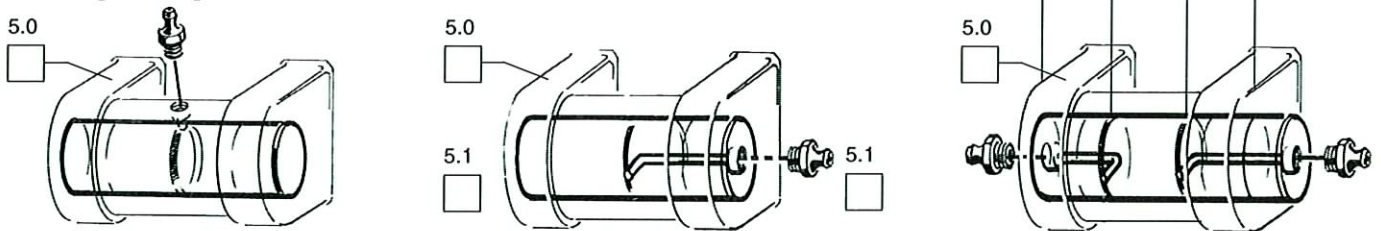
3 3.0 Indicate the original pin diameter.
3.1 Measure the distance between the outside edges of the mounting lugs.
3.2 Measure the width of each mounting lug.
3.3 **Remove any bushings fitted in the mounting lugs.**
3.4 Fill-in the diameter of the original hole. If the hole in the mounting lug is worn, measure the minimum and maximum diameters of the hole.
3.5 Indicate, if any, a stationary or moving obstacle within 100 mm from the mounting lugs.
3.51 Measure the distance between the obstacle and the respective mounting lug.



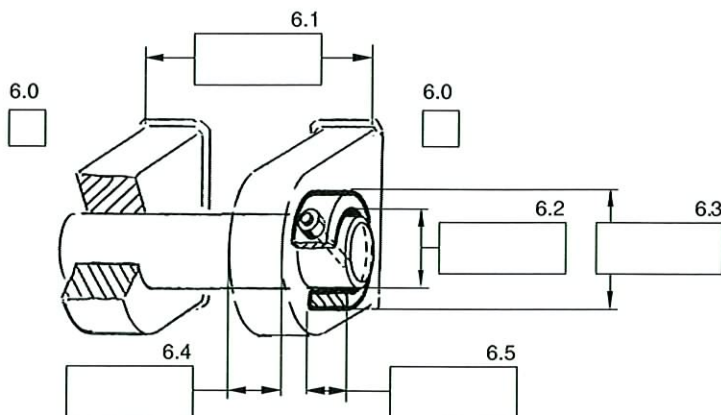
4 4.0 Indicate if the pivot is equipped with a bushing or bearing. If more than one bushing, indicate how many and the width.

Bushing(s) How many _____
 Bearing Width _____

5 5.0 Indicate how the grease is being distributed in the pivot.
5.1 Indicate from which side the pivot is being greased.
5.2 Measure the distance from the **outside edge** of the mounting lugs to the greasing outlets.



6 6.0 If the pivot lugs have welded on sleeves, indicate the following measurements.



7 7.0 Indicate if the pivot is designed with axial locking of the bearing/bushing.

